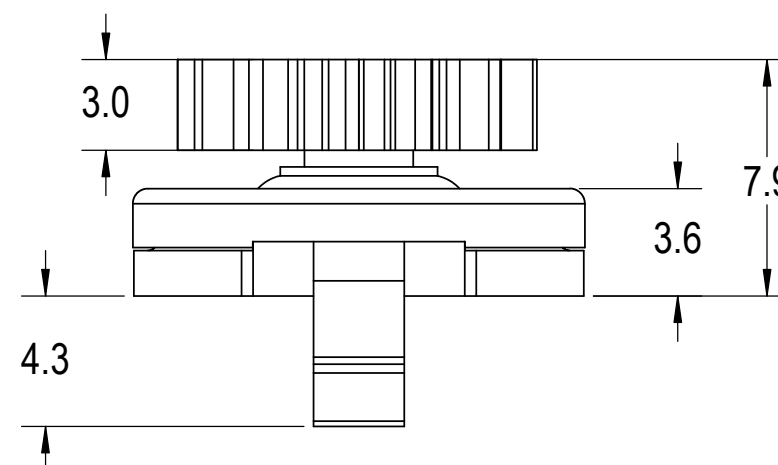
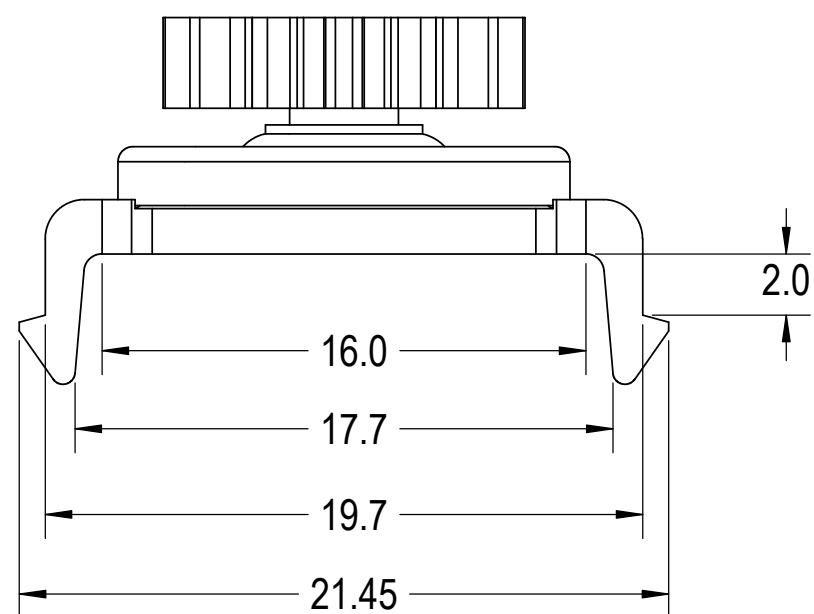
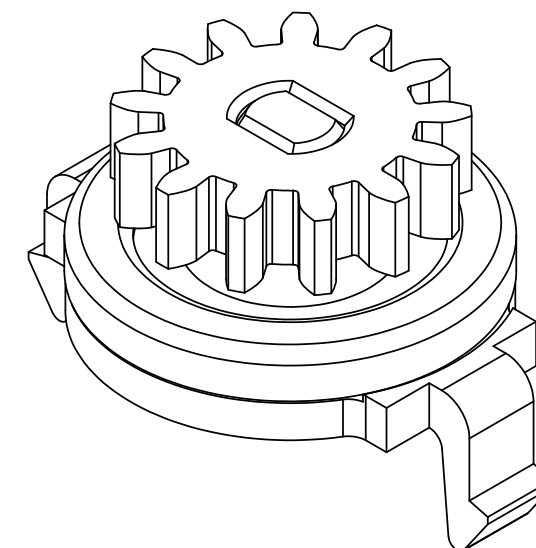
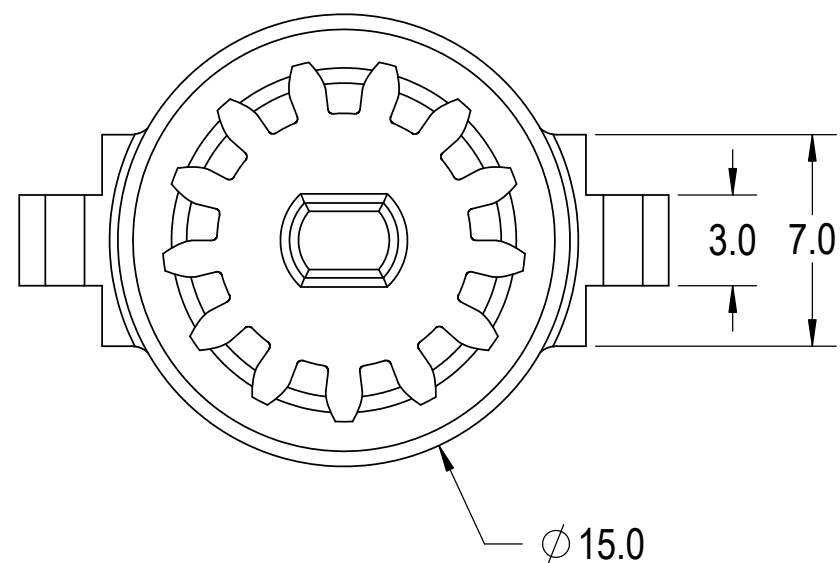


This document and its contents contain proprietary information of ITW Delpro, an Illinois Tool Works company.

GEAR SPECIFICATIONS		
NUMBER OF TEETH	13	11
PRESSURE ANGLE	14.5°	20°
PITCH DIAMETER	10.4	8.8
MODULE	0.8	0.8



FOR REFERENCE ONLY

PLEASE CONTACT ITW DELPRO FOR LATEST PRINT
www.itwdelpro.com

METRIC ALL DIMENSIONS
 IN MILLIMETERS

ITW DELPRO

21601 S. HARLEM AVENUE FRANKFORT, IL 60423

PART NAME
**REAR SNAP-IN
 ROTARY GEAR DAMPER**

PART NO.
46-0042TG